

Feature Package 3

TRIAD-S, 1/2/3
Pocket Guide

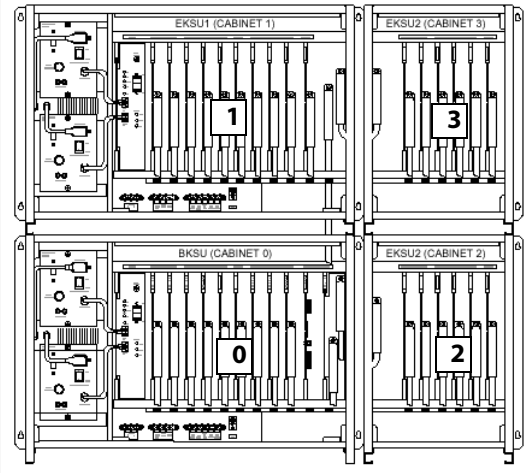


TRIAD
A NEW DIMENSION IN BUSINESS COMMUNICATIONS

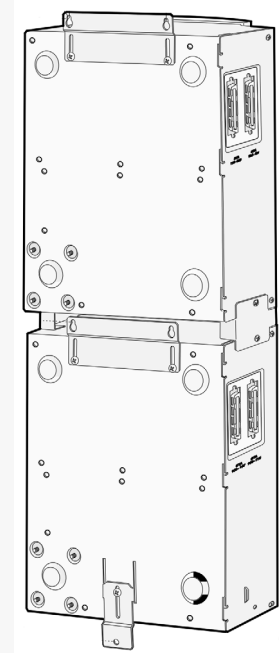
8051-00

STATION NUMBERING PLAN

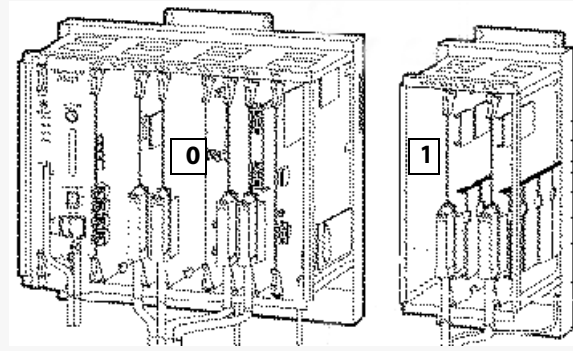
Feature	Code	Feature	Code
911 Attendant Alert	608	ICLID Unanswered Call	635
Account Code	570	Internal Page Zone 1 - 8, All	701 - 709
Account Code (Enter)	627	Intercom Button	645
ACD Calls In Queue	579 + aaa	Keypad Mode	648 +[#, *]
ACD Group 1 - 16	550 - 565	LCR	800
ACD Group Status	567 + aaa	Loop	89
ACD Help	574	Mailbox Button	644
ACD Member Display	573	Meet Me Page	770
ACD Primary Login	572 + aaa	Message Preselect	633 + mm
ACD Primary Logout	571	Message Wait	623
ACD Secondary Login	582 + aaa	Modem	499
ACD Secondary Logout	581 + aaa	MPB Version	605
ACD Supervisor Display	577 + aaa	Mute	629
ACD Supervisor Login	576 + aaa	Night Service	604
ACD Supervisor Logout	575 + aaa	Off-Net Forward	603
ACD/UCD Avail/Unavail	566	OHVO	628
All Call Page	700	One Touch Record	649 + 44v
Answering Machine Ring	654 + 0	Overflow Avail/Unail	578
Answering Machine Speaker	654 + 1	Pause/Resume Rec	655
Attendant Clear Alarm	606	Personal Park	438
Attendant Disable CO Line	602	Pickup Park Group 1 - 8	#430 - #437
Attendant Unavailable	607	Pool 01 - 23	801 - 823
Attendant Override	601	Pool All	824
Background Music	632	Prime Key	691
Call Back	622	Release	641
Call Coverage	647 + xxx	Remote Call Forward	642
Call Coverage Ring	646 + xxx	Repeat Redial	643
Call Factor	580	Set Clock	692
Call Forward	640	SLT Call Pickup	# 1
Call Forward Override	5 #	SLT Call Back	663
Call Park Group 1 - 8	430 - 437	SLT Conf Park	664
Camp On	620	SLT Speed Dial	668
Cancel LCR Que	626	SLT Speed Programming	661
Clear Forward, DND, Message	662	Speed Directory	693
Clear VM Alarm	656	Station Call Park	439
CO Line (001-012)	88 + LLL	Station Name	690
CO Line Queue	621	Station Park Pickup	# 6
Conference	624	Station - <i>Triad S</i>	100 - 131
Custom Message	694 + xxx	Station - <i>Triad 1/2</i>	100 - 171
Dial By Name	6 *	Station - <i>Triad 3</i>	100 - 351
Directory Dial	680	Station Relocate	636 + xxx
Distinctive Ring	695	Stop Trace	658
Do Not Disturb	631	Telecenter Adm	652
DTMF Receiver Test	657	Telecenter Ext	650
Executive Override	625	Tone Ring	6# + xxx
External Page Zone All, 1, 2	760 - 762	UCD Group	550 - 565
Flash	660	UNA/UDA	#5
Group Call Pickup	# 0	VM Group 1 - 8	440 - 447
Headset Mode	634	VM Message Cancel	421
HPT	667	VM Message Set	420
Hunt Group 1 - 8	450 - 457	VM Message Set w/Count	422
ICLID Answered Call	659	Volume	638
ICLID Name/Number	653	Xfer Unans CO Call	639



**Triad 3
BKSU with Expansion KSU**

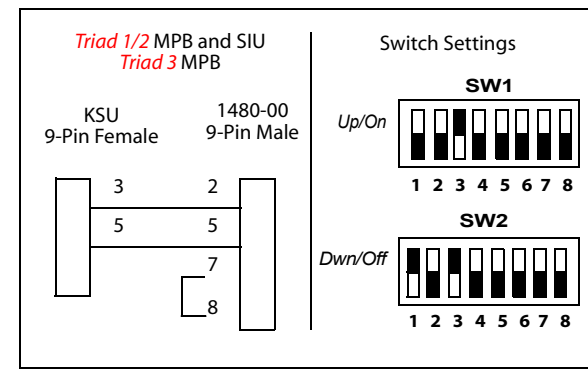


**Triad-S
BKSU with Expansion KSU**



**Triad 1/2
BKSU with Expansion KSU**

CALLER ID CONNECTION



POINT-TO-POINT T-1 CONNECTION

System 1	System 2
DA15 Female Pin #	
R1 1 -->	<-- 3 T1
R2 9 -->	<-- 11 T2
G 2 -->	<-- 4 G
T1 3 -->	<-- 1 R1
T1 11 -->	<-- 9 R1
G 4 -->	<-- 2 G

STRAIGHT-THRU CABLE

System 1	System 2
DA15 Female Pin #	
	1 ---
2 -->	<-- 2
3 -->	<-- 3
5 -->	<-- 5
6 -->	<-- 6
4 -->	<-- 4
	7 ---
	8 ---

FLASH CODES

Flash Code	Feature	Flexible Button
01	System Timers	1-20
02	Additional System Timers	1-6
05	System Features 1 Programming	1-13
06	System Features 2 Programming	1-13
07	Flash Rates (Programmable)	1-19
09	System Parameters Programming	13-18
10	Attendant Station Assignment	
11	System Time and Date	1
12	PBX Dialing Codes	
13	Executive/secretary Pairs	1-4
14	On Board Relay Programming	1-6
15	Baud Rate Assignments	1-4
16	Network Tables	
20	Access Codes	1-2
21	Station Message Detail Recording	1-6
22	Weekly Night Mode Schedule	1-8
23	Directory Dialing	1-3
24	Cabinet/Card Programming	1-20
30	Hunt Groups	1-13
31	Verified Account Codes Table	1-4
39	CO Line Group Queuing	1-8
40	CO Programming - Page A - Btn 19	1-15
	CO Programming - Page B - Btn 20	1-9
	CO Programming - Page C - Btn 21	1-10
41	Miscellaneous CO Parameters - Btn 1	1-6
42	Flexible Port Assignment	<i>Triad 1/2</i> 1-6 <i>Triad 3</i> 1-8
43	ICLID Ringing Assignment(s)	1, 18-20
44	DID Programming	2-4
45	ISDN Programming (<i>Triad 3</i>)	1-12/1-17
47	T-1 Alarm Programming	1-7, 11-16
50	Station Programming - Page A - Btn 19	1-18
	Station Programming - Page B - Btn 20	1-14, 17
	Station Programming - Page C - Btn 21	1-5
52	Flexible Numbering Assignment	
55	Local Number/Name Translation Table	1-4
56	ICLID Features	1-4
60	ACD* Group Programming - Page A	1-14
	UCD Group Programming - Page A	1-11
	UCD Station Assignments - Page B	1-8
61	ACD* Timers	1-2, 5-7
62	ACD* RAN Announcement Tables*	1-8
63	ACD* Interface Trace	1-3
61	UCD Timers	1-6
62	UCD Announcement Tables (RAN)	1-8
65	Voice Mail Group Programming	1-12
66	Voice Mail Outpulsing Table	1-9
67	Voice Mail In-Band Features	1-3
68	Voice Mail Index Table	1-2
70	Exception Tables (Toll Restn) Programming	1-12
75	LCR Tables Programming	1-8
80	Initialize Database Parameters	1-15, 20
85	Printing System Database Parameters	1-16
86	Load Database Routine	1-2

SYSTEM CAPACITY

<p>Triad 1 Ports CO/PBX/Centrex Lines DID Lines T-1 Trunks</p> <p>Triad 2 Ports CO/PBX/Centrex Lines DID Lines T-1 Trunk</p> <p>Stations Analog Stations Digital Telephones Single Line Telephones</p> <p>DTMF Receiver</p>	<p>36 lines max. (6 per LCOB board) 24 lines max. (4 per DIDB board) -- DTMF or dial pulse signalling. 48 trunks max. (24 per T1IB board)</p> <p>36 lines max. (6 per LCOB board) 36 lines max. (4 per DIDB board). DTMF or dial pulse signalling. 48 trunks max. (24 per T1IB board)</p> <p>48 max. (12 per ETIB board) 60 max. (12/24 per DTIB board) 48 max. (6 per SLIB board)</p> <p>Each DTMF Receiver Module (DTRU) contains 2 DTMF receivers. The DTRU board mounts as a daughter board on the LCOB, DIDB, and SLIB.</p> <p>Each DTMF Receiver Module (DTMF-A) contains 4 DTMF receivers. The DTMF-A board mounts as a daughter board on the T1IB.</p>
<p>Triad 3 Ports CO/PBX/Centrex Lines DID Lines T-1 Trunks ISDN Trunks</p> <p>Stations Analog Stations Digital Telephones Single Line Telephones</p> <p>DTMF Receiver</p>	<p>112 max. (8 per LCOB/GCOB board) 96 max. (8 per DIDB. DTMF or dial pulse signalling) 144 max. (24 T-1 trunk circuits per T1IB board) 138 max. (23 trunks per PRIB board)</p> <p>252 max. (12 per ETIB board) 252 max. (12/24 per DTIB board) 180 max. (12 per SLIB board)</p> <p>26 max. (2 on MISU, 24 on peripheral boards) Each DTMF Receiver Unit (DTMF-A or DTMF-B) contains 4 DTMF receivers. --> DTMF-A board mounts as a daughter board on the T1IB, PRIB, and SLIB. --> DTMF-B board mounts as a daughter board on the LCOB/GCOB, DIDB.</p>
<p>Triad-5 BKSU Capacity CO/PBX/Centrex Lines Stations Digital Telephones Single Line Telephones</p> <p>BKSU + EKSU Capacity CO/PBX/Centrex Lines Stations Digital Telephones Single Line Telephones</p> <p>DTMF Receiver</p>	<p>6 lines max.</p> <p>16 max. (16 per CKIB board) 8 max. (8 per CSIB board)</p> <p>12 Lines max.</p> <p>32 max. (8 per CKIB board) 24 max. (8 per CSIB board) (System maximum: 12 lines, 8 digital phones, 24 SLTs)</p> <p>Basic: 1 each With DTMF-A: 5 (provides 4 additional receivers)</p>

CKIB / CSIB WIRING (Triad-5)

Pair	Pin #	Color
1	26	WH/BL
100	1	BL/WH
2	27	WH/OR
101	2	OR/WH
3	28	WH/GN
102	3	GN/WH
4	29	WH/BN
103	4	BN/WH
5	30	WH/SL
104	5	SL/WH
6	31	RD/BL
105	6	BL/RD
7	32	RD/OR
106	7	OR/RD
8	33	RD/GN
107	8	GN/RD
9	34	RD/BN
108	9	BN/RD
10	35	RD/SL
109	10	SL/RD
11	36	BK/BL
110	11	BL/BK
12	37	BK/OR
111	12	OR/BK
13	38	BK/GN
112	13	GN/BK
14	39	BK/BN
113	14	BN/BK
15	40	BK/SL
114	15	SL/BK
16	41	YL/BL
115	16	BL/YL
17	42	YL/OR
116	17	OR/YL
18	43	YL/GN
117	18	GN/YL
19	44	YL/BN
118	19	BN/YL
20 - T EXP1R	45 20	YL/SL SL/YL
21 - T MOH1R	46 21	VI/BL BL/VI
22 - T MOH2R	47 22	VI/OR OR/VI
23 - T Relay1R	48 23	VI/GN GN/VI
24 - T Relay2R	49 24	VI/BN BN/VI
25	50 25	VI/SL SL/VI

DTIB / DTIB-E / SLIB WIRING (Triad 3)

Pair	Pin #	Color
1	26	WH/BL
100	1	BL/WH
2	27	WH/OR
101	2	OR/WH
3	28	WH/GN
102	3	GN/WH
4	29	WH/BN
103	4	BN/WH
5	30	WH/SL
104	5	SL/WH
6	31	RD/BL
105	6	BL/RD
7	32	RD/OR
106	7	OR/RD
8	33	RD/GN
107	8	GN/RD
9	34	RD/BN
108	9	BN/RD
10	35	RD/SL
109	10	SL/RD
11	36	BK/BL
110	11	BL/BK
12	37	BK/OR
111	12	OR/BK
13	38	BK/GN
112	13	GN/BK
14	39	BK/BN
113	14	BN/BK
15	40	BK/SL
114	15	SL/BK
16	41	YL/BL
115	16	BL/YL
17	42	YL/OR
116	17	OR/YL
18	43	YL/GN
117	18	GN/YL
19	44	YL/BN
118	19	BN/YL
20	45	YL/SL
119	20	SL/YL
21	46	VI/BL
120	21	BL/VI
22	47	VI/OR
121	22	OR/VI
23	48	VI/GN
122	23	GN/VI
24	49	VI/BN
123	24	BN/VI
25	50	VI/SL
124	25	SL/VI

ETIB WIRING

Port #	Pin #	Color
1	26	WH/BL
	27	WH/OR
2	28	WH/GN
	29	WH/BN
3	30	WH/SL
	31	RD/BL
4	32	RD/OR
	33	RD/GN
5	34	RD/BN
	35	RD/SL
6	36	BK/BL
	37	BK/OR
7	38	BK/GN
	39	BK/BN
8	40	BK/SL
	41	YL/BL
9	42	YL/OR
	43	YL/GN
10	44	YL/BN
	45	YL/SL
11	46	VI/BL
	47	VI/OR
12	48	VI/GN
	49	VI/BN

LCOB / GCOB/ DID WIRING

Pair	Pin #	Color
1 - R CO1T	26 1	WH/BL BL/WH
2 - R CO2T	27 2	WH/OR OR/WH
3 - R CO3T	28 3	WH/GN GN/WH
4 - R CO4T	29 4	WH/BN BN/WH
5 - R CO5T	30 5	WH/SL SL/WH
6 - R CO6T	31 6	RD/BL BL/RD
7 - R CO7T	32 7	RD/OR OR/RD
8 - R CO8T	33 8	RD/GN GN/RD
9	34 9	RD/BN BN/RD
10	35 10	RD/SL SL/RD
11	36 11	BK/BL BL/BK
12	37 12	BK/OR OR/BK
13	38 13	BK/GN GN/BK
14	39 14	BK/BN BN/BK
15	40 15	BK/SL SL/BK
16	41 16	YL/BL BL/YL
17	42 17	YL/OR OR/YL
18	43 18	YL/GN GN/YL
19	44 19	YL/BN BN/YL
20	45 20	YL/SL SL/YL
21	46 21	VI/BL BL/VI
22	47 22	VI/OR OR/VI
23	48 23	VI/GN GN/VI
24	49 24	VI/BN BN/VI
25	50 25	VI/SL SL/VI

MISU WIRING

Pair	Pin #	Color
1 - T Relay1R	26 1	WH/BL BL/WH
2 - T Relay2R	27 2	WH/OR OR/WH
3 - T Relay3R	28 3	WH/GN GN/WH
4 - T Relay4R	29 4	WH/BN BN/WH
5 - T Relay5R <i>(Triad 3)</i>	30 5	WH/SL SL/WH
6 - T Relay6R <i>(Triad 3)</i>	31 6	RD/BL BL/RD
7	32 7	RD/OR OR/RD
8	33 8	RD/GN GN/RD
9	34 9	RD/BN BN/RD
10	35 10	RD/SL SL/RD
11 - T MOH1R	36 11	BK/BL BL/BK
12 - T MOH2R	37 12	BK/OR OR/BK
13 - T EXP1R	38 13	BK/GN GN/BK
14 - T EXP2R	39 14	BK/BN BN/BK
15	40 15	BK/SL SL/BK
16	41 16	YL/BL BL/YL
17	42 17	YL/OR OR/YL
18	43 18	YL/GN GN/YL
19	44 19	YL/BN BN/YL
20	45 20	YL/SL SL/YL
21	46 21	VI/BL BL/VI
22	47 22	VI/OR OR/VI
23	48 23	VI/GN GN/VI
24	49 24	VI/BN BN/VI
25	50 25	VI/SL SL/VI

NOTES

LCOB / SLIB WIRING (Triad 1/2)

SLIB Connector		SLIB Designation
Connector	Pin #	
M1	3	Tip 1
	2	Ring 1
	4	Tip 2
	1	Ring 2
M2	3	Tip 3
	2	Ring 3
	4	Tip 4
M3	1	Ring 4
	3	Tip 5
	2	Ring 5
	4	Tip 6
1	Ring 6	

Part Number		Description
<i>DVX^{Plus} II/III</i>	<i>DVX^{Plus} IV</i>	
IN8003-00/8000-00	IN9000-00	Basic KSU
IN8032-30	IN9032-00	Digital Interface Board (DTIB12) 12-cir
IN8031-10	IN9031-10	Direct Inward Dial Board (DIDB) 8-cir
IN9033-10	IN9033-10	DTMF Receiver Unit (DTMF-A) 4-cir
IN8032-20	IN9032-20	Electronic Interface Board (ETIB) 12-cir
IN8002-01	IN9002-01, 02*	Expansion KSU (*10, 6- slot)
IN8031-00	IN9031-00	Loop Start CO Board (LCOB) 8-cir
IN8030-01	IN9030-01	Master Processor Board (MPB)
IN8030-20	IN9030-20	Memory Expansion Unit (MEMU)
IN8035-00	IN9035-00	Misc Interface Service Unit (MISU)
IN8030-40	IN9030-40	Phase-Lock-Loop Unit (PLLU)
IN8036-00	IN9036-00	Power Failure Transfer Unit (PFTU) 6-cir
IN8071-20 (250-w)	IN9071-10, 15	Power Supply - 10, 15 amp
IN8073-00	IN9073-00	Ring Generator Unit (RGU)
IN8033-00 (6-cir)	IN9033-00	Single Interface Board (SLIB) 12 cir
IN8031-31	IN9031-31	T-1 Trunk Board (T1B) 24-cir
	IN9074-00	DC/DC Converter Unit (DCCU)
	IN9032-10	Digitl Interface Board Expnsn (DTIB-E) 12-cir
	IN9031-01	DTMF Receiver Unit (DTMF-B) 4-cir
	IN9031-50	Ground Start CO Board (GCOB) 8-cir
	IN9033-20	Message Wait Unit (MSG12)
	IN9030-10	Program Module Unit (PMU)
	IN9030-30	Serial Interface Unit (SIU-2)
IN8030-30		2400 Baud Modem (MODU)
IN8032-40		Digital Interface Board (DTIB24) 24-cir
IN8031-50		DTMF Receiver Unit (DTRU) 2-cir
IN8033-10		Message Wait Unit (MSGU)
IN8035-10		Serial Interface Unit (SIU)
	IN9011-XX	Basic Key Telephone
	IN9013-XX	Enhanced Key Telephone
	IN9015-XX	Executive Key Telephone
	IN9016-71	Elite Large Screen Key Telephone
	IN9010-XX	DSS Console
	IN9854-00	Single Line Adapter
	IN9020-00	CTI Connector Box
	IN1440-00 / IN1480-00	Caller ID Unit (TCI) 4, 8-port

XXX denotes color option: 71 = Charcoal, 08 = Off-White